

WINTER POOL COVER

LIMITED WARRANTY

Warranty Department
60 Campanelli Drive
Braintree, MA 02184
covers@warrantydept.com

WARNING - AVOID DROWNING RISK - THIS IS NOT A SAFETY COVER

STAY OFF COVER - WILL NOT SUPPORT WEIGHT. KEEP CHILDREN AWAY - CHILDREN OR OBJECTS CANNOT BE SEEN UNDER COVER. REMOVE STANDING WATER - CHILD CAN DROWN ON TOP OF COVER. REMOVE COVER COMPLETELY BEFORE ENTRY OF BATHERS - ENTRAPMENT POSSIBLE. NON-SECURED OR IMPROPERLY SECURED COVERS ARE A HAZARD.

The manufacturer of this winter pool cover warrants to the original purchaser of this product that it will remain free from manufacture defects in material or workmanship within the applicable warranty period, from the date of purchase. Such defects will be replaced at a prorated rate as described below.

RATE The warranty rate of an approved claim is determined by the cover series, the warranty year of the claim (determined by original purchase date) and the percentage discount from the manufacturer's suggested retail price. For approved claims the warrantee would be eligible to purchase a replacement cover equivalent to the original purchase at a rate discounted from the manufacturer's suggested retail as indicated in the chart below.

SHIPPING CHARGES If an approved claim on a warranty defect has occurred within 30 days from the original purchase date, the replacement shipment will incur no charges. For all other approved claims, shipping charges will be the responsibility of the original purchaser.

WARRANTY	8 YEARS	10 YEARS	12 YEARS	15 YEARS	18 YEARS	20 YEARS	20 YEARS
COVER SERIES	36 46	32 35 38 40 54 55	53 58 59	33 37 41 42 43 52 57	34 39	30 47 48 60	31 49 50 51
YEAR	DISCOUNT FROM SUGGESTED RETAIL PRICE						
1	100%	100%	100%	100%	100%	100%	100%
2	70%	70%	100%	100%	100%	100%	100%
3	60%	60%	60%	70%	70%	70%	100%
4	50%	50%	50%	60%	60%	60%	70%
5	40%	40%	40%	50%	50%	50%	60%
6	30%	30%	30%	40%	40%	40%	50%
7	20%	30%	30%	30%	30%	40%	40%
8	20%	20%	20%	30%	30%	30%	40%
9		20%	20%	30%	30%	30%	30%
10		20%	20%	30%	30%	30%	30%
11			20%	20%	30%	30%	30%
12			20%	20%	30%	30%	30%
13				20%	30%	30%	30%
14				20%	20%	20%	30%
15				20%	20%	20%	20%
16 - 18					20%	20%	20%
19 & 20						20%	20%

WARRANTY SUBMITTANCE: Please fill out the attached warranty card and include a copy of your original sales receipt from the dealer you made your purchase from. Be sure to mail these documents to Warranty Department, 60 Campanelli Drive, Braintree, MA 02184. If you prefer to email your warranty please attach your scanned warranty and receipt of purchase to: covers@warrantydept.com. To process a claim, the warranty card must be submitted within 30 days from date of purchase otherwise the warranty is null and void.

WINTER POOL COVER WARRANTY FORM

(Must be mailed or emailed within 30 days of the date of purchase)

Name _____ Date of Purchase _____
 Address _____ Email _____
 City _____ State _____ Zip _____
 Phone # _____ Purchase Price _____
 Style No. (Printed on box) _____ Pool Size _____
 Purchased From _____

I am signing this card to register my pool cover. I acknowledge I have read and fully understand this warranty and the installation guide.

Original purchaser's signature _____

WARNING AVOID DROWNING RISK THIS IS NOT A SAFETY COVER

Stay off cover - will not support weight. Keep children away. Children or objects cannot be seen under cover. Remove standing water - child can drown on top of cover. Remove cover completely before entry of bathers - entrapment possible. Non-secured or improperly secured covers are a hazard.

Why did you buy this product?
(Check as many as apply)

- | | |
|---|--------------------------------------|
| <input type="checkbox"/> REPUTATION | <input type="checkbox"/> ADVERTISING |
| <input type="checkbox"/> STYLE | <input type="checkbox"/> WARRANTY |
| <input type="checkbox"/> QUALITY | <input type="checkbox"/> PRICE |
| <input type="checkbox"/> SELECTION | <input type="checkbox"/> WEB SITE |
| <input type="checkbox"/> CUSTOMER SERVICE | <input type="checkbox"/> OTHER |

Email Us - covers@warrantydept.com

WARNING - AVOID DROWNING RISK - THIS IS NOT A SAFETY COVER

STAY OFF COVER - WILL NOT SUPPORT WEIGHT. KEEP CHILDREN AWAY - CHILDREN OR OBJECTS CANNOT BE SEEN UNDER COVER. REMOVE STANDING WATER - CHILD CAN DROWN ON TOP OF COVER. REMOVE COVER COMPLETELY BEFORE ENTRY OF BATHERS - ENTRAPMENT POSSIBLE. NON-SECURED OR IMPROPERLY SECURED COVERS ARE A HAZARD.

EXCEPTIONS

This limited warranty does not cover damage caused by abuse, negligence, mis-installation, acts of God and normal wear-and-tear. This warranty does not cover fading, discoloration or delamination due to over exposure of sun rays, improper chemical application or chemical spills.

NOTE: Excessive abrasion, holes caused from wear or wind damage and grommets pulling out are specifically excluded from this warranty. In areas of high wind, the securing of the cover is most important. The securing should prevent any billowing of the cover. Sharp corners on your pool must be padded with a soft material, such as foam rubber. Failure to do so voids your warranty.

LEGALITIES

Neither manufacturer, distributor nor dealer will be held liable, under any circumstances, for any labor, or any other replacement and/or any incidental or consequential cost, damages, installation or re-installation of this product resulting from any defects in design, workmanship or material.

This warranty is not valid unless the registration form is filled out and mailed or emailed within 30 days of the date of purchase.

ALL IMPLIED WARRANTIES, INCLUDING THE IMPLIED WARRANTIES OF MERCHANTABILITY AND FITNESS FOR A PARTICULAR PURPOSE, ARE LIMITED TO THE FINAL YEAR OF YOUR SPECIFIC COVER SERIES AND THERE AFTER ARE EXCLUDED.

This warranty gives you specific legal rights. You may also have other rights, which may vary by state or province.

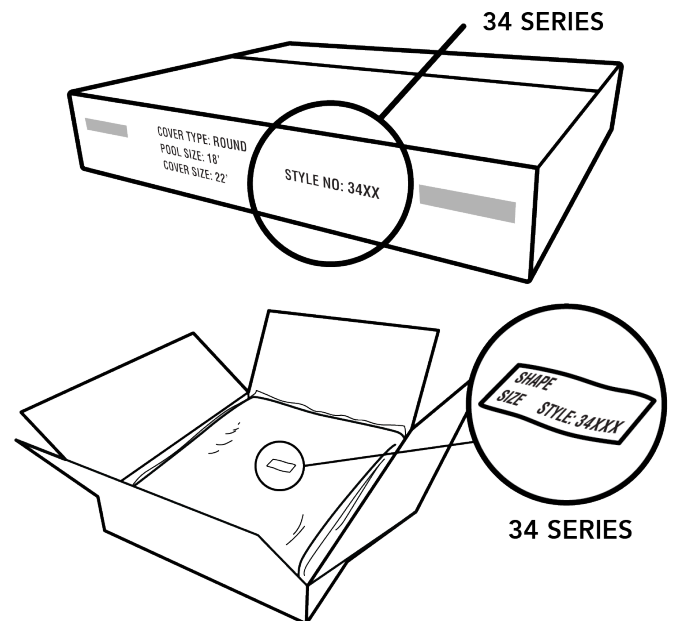
TO FILE A CLAIM

For us to review the claim we will need to receive three photos (non-returnable). The first photo should show the area of the defect from a distance (necessary to see the defect in relation to the cover) the second photo should be a closeup of the defect and the third photo should be of the entire pool showing the installation method. These photos should be mailed to Warranty Department, 60 Campanelli Drive, Braintree, MA 02184. or emailed to covers@warrantydept.com. Please provide a statement describing the location and the nature of the defect, as well as a phone number and email address where you may be reached. If we request the cover to be returned, a return authorization number will be issued and instructions will be given. No returns will be accepted without this return authorization.

IDENTIFYING YOUR COVER SERIES

The length of your cover's warranty is determined by the cover series. Each series can be identified by the first two digits of the style number. The style number should be printed and appear on one side of the shipping box or on a sticker that is adhered to the bag the cover is packaged in. Please see diagrams below.

If you are unable to identify your cover's series check to see if the style number is on your sales receipt or contact the retailer you made your purchase from.



Mail to:
Warranty Department
60 Campanelli Dr
Braintree MA 02184

WINTER POOL COVER INSTALLATION GUIDE

Proper installation will ensure long use and trouble-free performance of your winter swimming pool cover.

Read all instructions carefully before installation

FOR ABOVE GROUND POOLS

1. Properly prepare your pool for closing days before installing the pool cover. This would include testing and cleaning the water, adding the winter chemicals, plugging up the return lines, blocking the skimmer with a cover plate (optional), and finally winterizing the filter and pump. Remove any ladders or any other equipment you have in the pool.
 2. If you choose to install a skimmer-cover-plate the water may be kept at a normal level for closing, otherwise lower your pool water to slightly below the skimmer. If using an ice equalizer pillow (recommended) blow up the air pillow $\frac{1}{2}$ to $\frac{3}{4}$ full and secure it so that it stays in the middle.
 3. Before placing the winter pool cover on the pool remove or pad all exposed sharp edges that could tear or otherwise damage your pool cover. This could be done with cloth tape, masking tape or foam rubber. Check top rail caps as they can be sharp, deck, fence or any other areas that may have contact with your cover.
 4. Place the cover over your pool so it rests directly on the water's surface and the excess material hangs evenly over the sides of the pool. (Figure 1) If you choose to use an ice equalizer pillow (sold separately) the cover should be draped over the pillow then rest on the water's surface. (Figure 2)
- Note: If you have a walk around deck it is recommended to use water tubes (sold separately) on the deck surface. For partial decks use a combination of water tubes and cover clips (sold separately).
5. Lace the vinyl coated cable (included) through the grommets around the entire pool. (Figure 3) To lock the cable, insert one end through opening A and the other through opening B of the winch/ratchet (included). Bring both ends through the opening in the tension drum from opposite directions. (Figure 4) Pull ends through until the cable appears reasonably taut around the pool.
 6. To ensure the cover is securely fixed for the winter and that the cable does not slip, turn the tension handle clockwise until the cable is tight. The ratchet lock will maintain the tension on the cable. It is important that the cover be installed properly and snugly so that the wind will not get under it, causing it to billow or flap, damaging the cover.
 7. To loosen cable tension, simply turn the tension handle clockwise slightly, then hold the ratchet lock out of its position and allow the tension drum to unwind counterclockwise releasing cable tension.

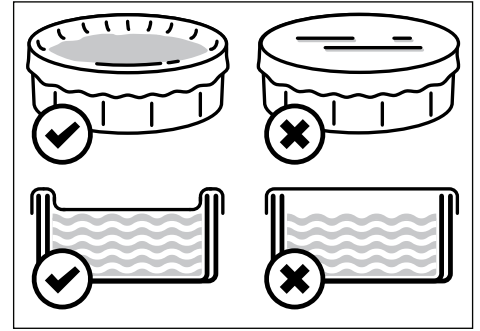


figure 1

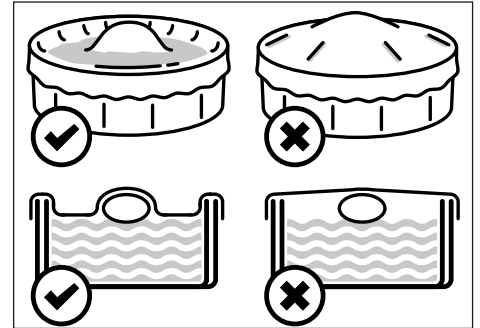


figure 2

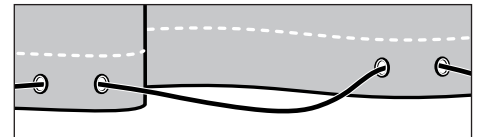


figure 3

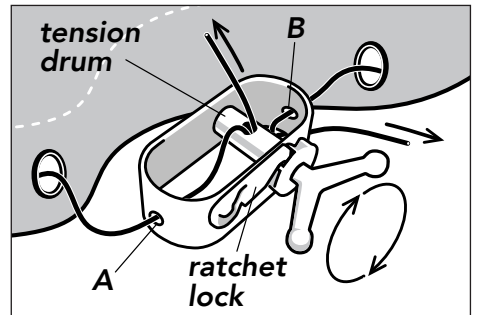


figure 4

FOR ABOVE GROUND & IN-GROUND POOLS

IMPORTANT: During the winter months we suggest that you check the tension of the cable (above ground) and remove any excess water from the top of a solid material pool cover. It is not necessary to remove water from a mesh pool cover as the material is an open weave design that allows the water to drain into the pool below the cover. If ice forms on any cover material do not tamper with ice or attempt to remove it. Leave the ice until it melts. Before removing a solid material cover be sure to siphon off all excess water resting on the pool cover.

STORAGE: Your winter cover should be clean and dry before storing. Store in a cool dry area to ensure its protective use for years to come.

NOTE: While we make suggestions for proper preparation necessary in closing your above ground or in-ground pool, always refer to your pool manufacturer's closing instructions or consult your pool professional for advice.

FOR IN-GROUND POOLS

1. Properly prepare your pool for closing days before installing the pool cover. Test and clean the water so the pool is properly balanced before adding any winter chemicals or a winter chemical kit. Remove diving boards, ladders, hand rails and any other equipment you may have in and around the pool. Back wash and clean your filter and pump and store away.
2. If you choose to blow out the water from your lines, be sure to plug up the hole in the bottom of the skimmer with a Gizzmo (sold separately) and properly plug all fittings. In this case the water level need only be drained 4 inches below the tile for closing.
3. If you choose not to blow out the lines make sure that all equipment is completely drained and that all return and cleaner lines are plugged. It is necessary to add swimming pool antifreeze (sold separately) into your plumbing lines to prevent the pipes from cracking during the winter. In this case the water level of your pool should be drained slightly below the bottom of the skimmer. Do not drain the pool water more than 18 inches below the coping.
4. Place the cover over your pool so that it rests on the water surface and the excess material hangs evenly over the deck.
5. Insert empty water tubes (sold separately) into attached cover loops making sure the water tubes cover the entire perimeter end to end, with little to no space in between. (Figure 5) This will prevent wind from getting under the cover and causing the cover to billow or flap. CAUTION: Such billowing or flapping in the wind may cause considerable damage to your cover.
6. Fill each water tube with water $\frac{1}{2}$ full to allow for expansion when they freeze. **IMPORTANT:** It is recommended to secure the cover to the pool decking with water tubes or water blocs. Anything else will void your warranty.

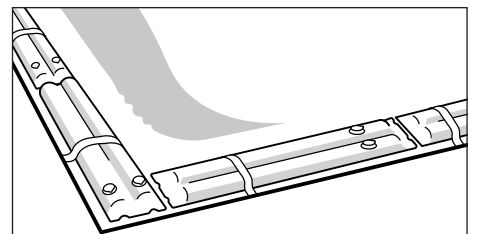


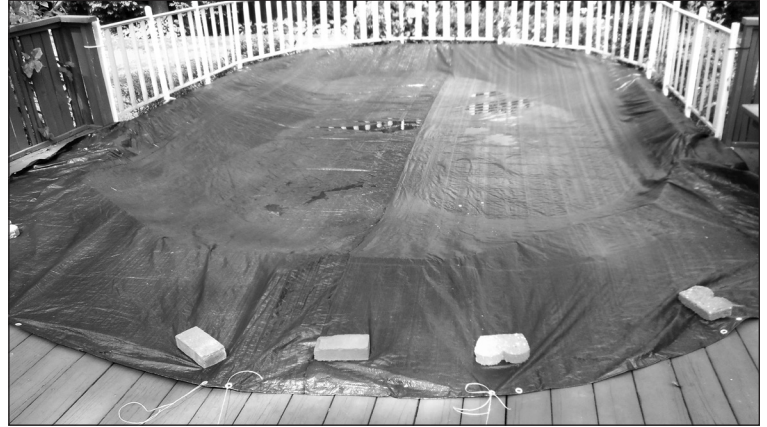
figure 5

WARNING: WINTER COVERS ARE NOT SAFETY COVERS. TO AVOID RISK OF DROWNING, KEEP ALL PERSONS AND ANIMALS OFF COVER.

IMPROPER INSTALLATION

Proper installation will ensure long use and trouble-free performance of your winter swimming pool cover. However, the majority of warranty claim denials come from customers who improperly install their pool covers. Be sure to read the installation guide provided and if you are still unsure of your installation please contact your pool professional.

THESE ACTIONS WILL VOID YOUR WARRANTY



DO NOT

secure or tie off with ropes or bungee cords
stake cover down at grommets
use water bag loops as ties or stake them down



DO NOT

pull cover taut across the pool
hang blocks, buckets or weights of any type
cover a pool that has no water or may have a leak



DO NOT

weigh down cover with weights, cement blocks or concrete
leave ladders, steps or obstructions in the pool
put up supports to hold cover away from the water